



DME In-Line Junctions provide environment resistant performance in either two wire or bussed four wire configurations. Both types use standard MIL-39029/22 socket contacts. All DME Series In-Line Junctions are qualified to MIL-T-81714E (Series II)\* and are completely interchangeable with the Deutsch CTL/ CTM In-Line Junctions.

## PERFORMANCE SPECIFICATIONS

### DIELECTRIC WITHSTANDING VOLTAGE:

Sea Level: 1,500 Volts AC (RMS)  
At 70,000 ft: 200 Volts AC (RMS)

### INSULATION RESISTANCE

5,000 megohms at 25 C.

### TEMPERATURE:

Operative at -65 C to +200 C.

### FLUID COMPATABILITY:

Method 1016 of MIL-STD-1344.

### CURRENT RATING:

Contact size 22-5 amps, size 20-7.5 amps.  
size 16-13 amps, size 12-23 amps.

### MOISTURE RESISTANCE:

Method 1002, Type II of MIL-STD-1344.

### THERMAL SHOCK

Per MIL-STD-1344 Test Condition A.

### CONTACT RETENTION:

Contact Size	Axial Load
22	12 lbs. min
20	20 lbs. min
16	25 lbs. min
12	30 lbs. min

### GROMMET SEALING RANGE: (MIL-T-81714, Table I)

Contact size	Max. Wire O.D.	Min. Wire O.D.
22	.060	.030
20	.083	.040
16	.109	.065
12	.142	.097

### OTHER TESTS PERFORMED:

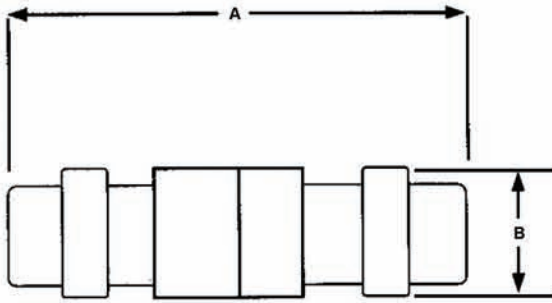
Vibration, Mechanical Shock, Altitude Immersion, Temperature Life, all per MIL-T-81714E.

\*QPL Authorization NAC 29.15/12-06-95.

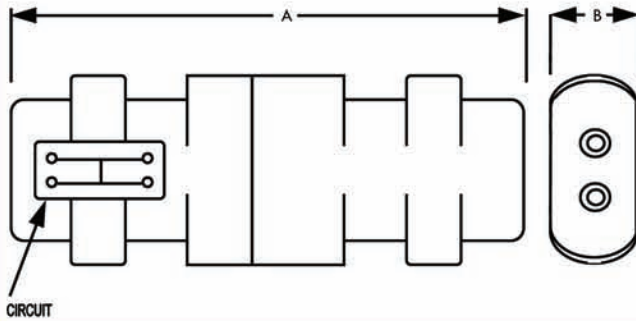


## MIL-T-81714E SERIES II SPLICES

### IN-LINE JUNCTIONS

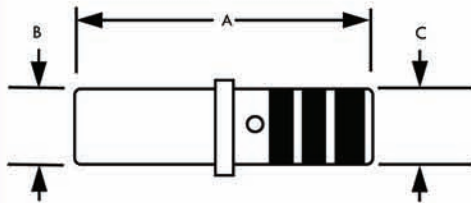


DME PART NUMBER	MILITARY PART NUMBER	CONTACT SIZE	A MAX.	B MAX.
DME-22	M81714/65-22-1	22	1.310	.230
DME-20	M81714/65-20-1	20	1.434	.290
DME-16	M81714/65-16-1	16	1.452	.324
DME-12	M81714/65-12-1	12	1.710	.387



DME PART NUMBER	MILITARY PART NUMBER	CONTACT SIZE	A MAX.	B MAX.	C MAX.
DME-22B	M81714/65-22-2	22	1.322	.240	.384
DME-20B	M81714/65-20-2	20	1.428	.271	.481
DME-16B	M81714/65-16-2	16	1.428	.304	.548
DME-12B	M81714/65-12-2	12	1.704	.367	.674

### SOCKET CONTACTS



CONTACT SIZE	WIRE GAUGE	MILITARY CONTACT P/N	A MAX	B MAX	C MAX
22	22-26	M39029/22-191	.327	.052	.060
20	20-24	M39029/22-192	.358	.076	.070
16	16-20	M39029/22-193	.358	.092	.103
12	12&14	M39029/22-605	.455	.163	.154

### ASSEMBLY TOOLS

CONTACT SIZE	MILITARY CONTACT P/N	CRIMP TOOL	CRIMP TOOL POSITIONER	INSERTION/ EXTRACTION	SEALING PLUGS	WIRE STRIP LENGTH
22	M39029/22-191	M22520/7-01	M22520/7-11	81515-23	MS27488-22	.207 ±.030
20	M39029/22-192	M22520/7-01	M22520/7-12	M83723/31-20 M81969/14-11	M83723/28-20	.207 ±.030
16	M39029/22-193	M22520/7-01	M22520/7-13	M83723/31-16 M81969/14-03	M83723/28-16	.207 ±.030
12	M39029/22-605	M22520/1-01	M22520/1-16	M83723/31-12 M81969/14-04	M83723/28-12	.225 ±.020